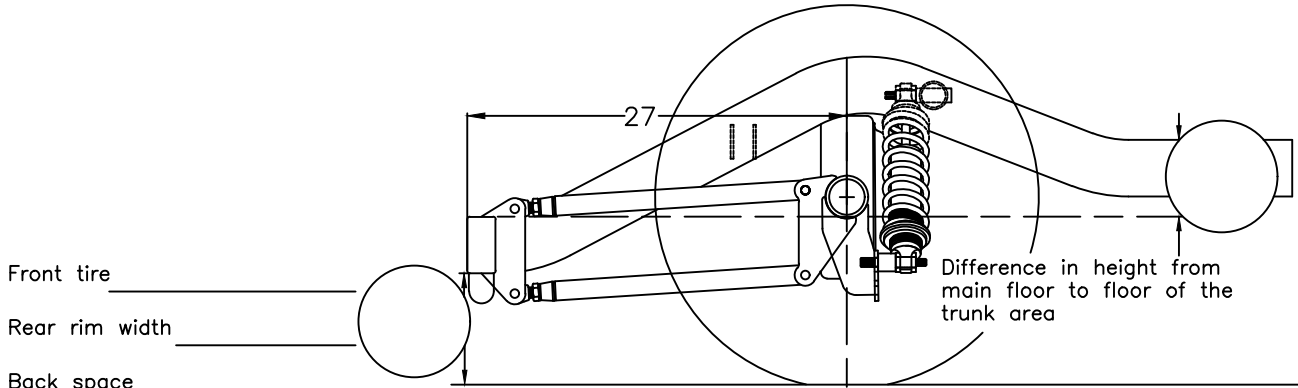


MORRISON



Drawing # 3987
 Suspension 4-Bar
 Type of frame Mandrel bent 2X4
 FAX #253 922 8847
 Phone #253 922 7188



Rear tire _____

- Std 4-Bar
- Air 4-Bar
- 2x4x0.120
- 2x4x0.180

COMPONENT CHOICES

- Housing Brace
- Exhaust Holes
- ↳ Large Small
- Wide hoop

HOUSING ENDS

- Big Ford 1/2"
- Big Ford Torino 3/8"

PINION LOCATION

- Centered Pinion
- Centered Housing

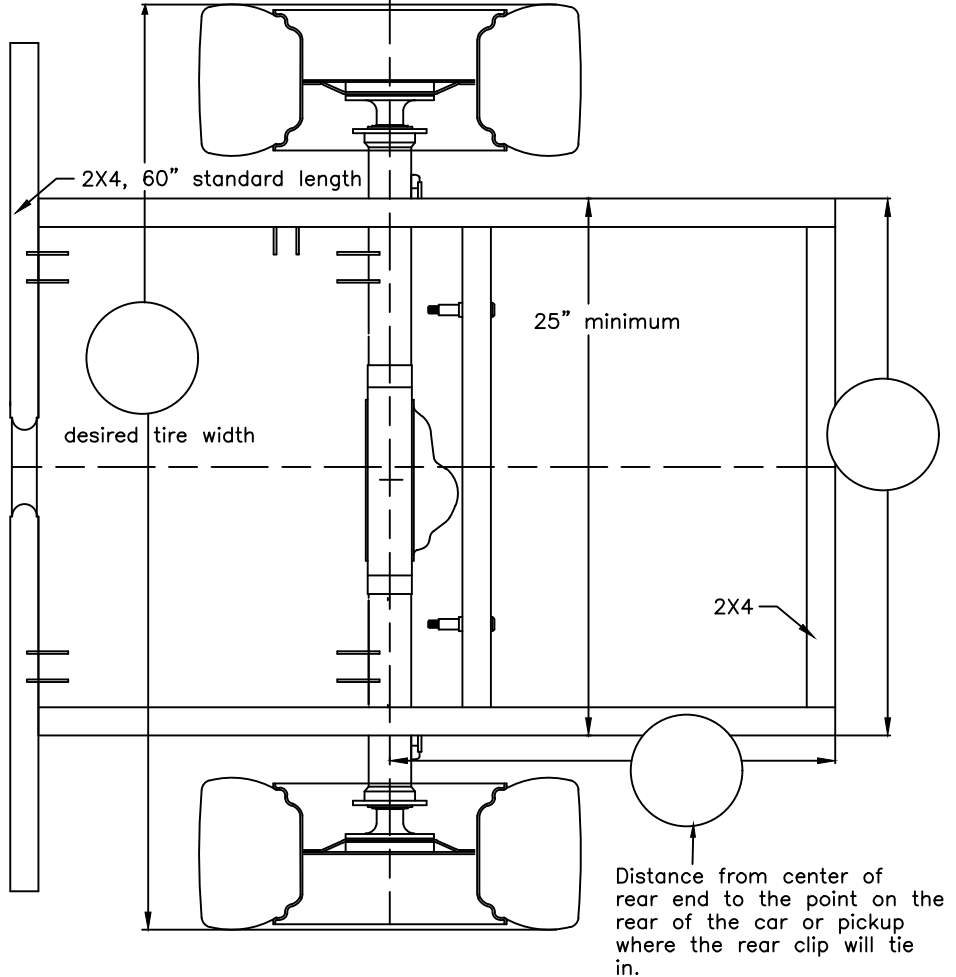
REAR DISC BRAKE HAT THICKNESS

ROD ENDS

- Poly
- Johnny Joints

TRACK LOCATOR

- Carrier mnt Panhard
- Weld on rear mnt Panhard
- Watts



YEAR, MAKE AND MODEL : _____

PRINT NAME: _____

SIGNATURE: _____

DAY TIME PHONE #: () _____