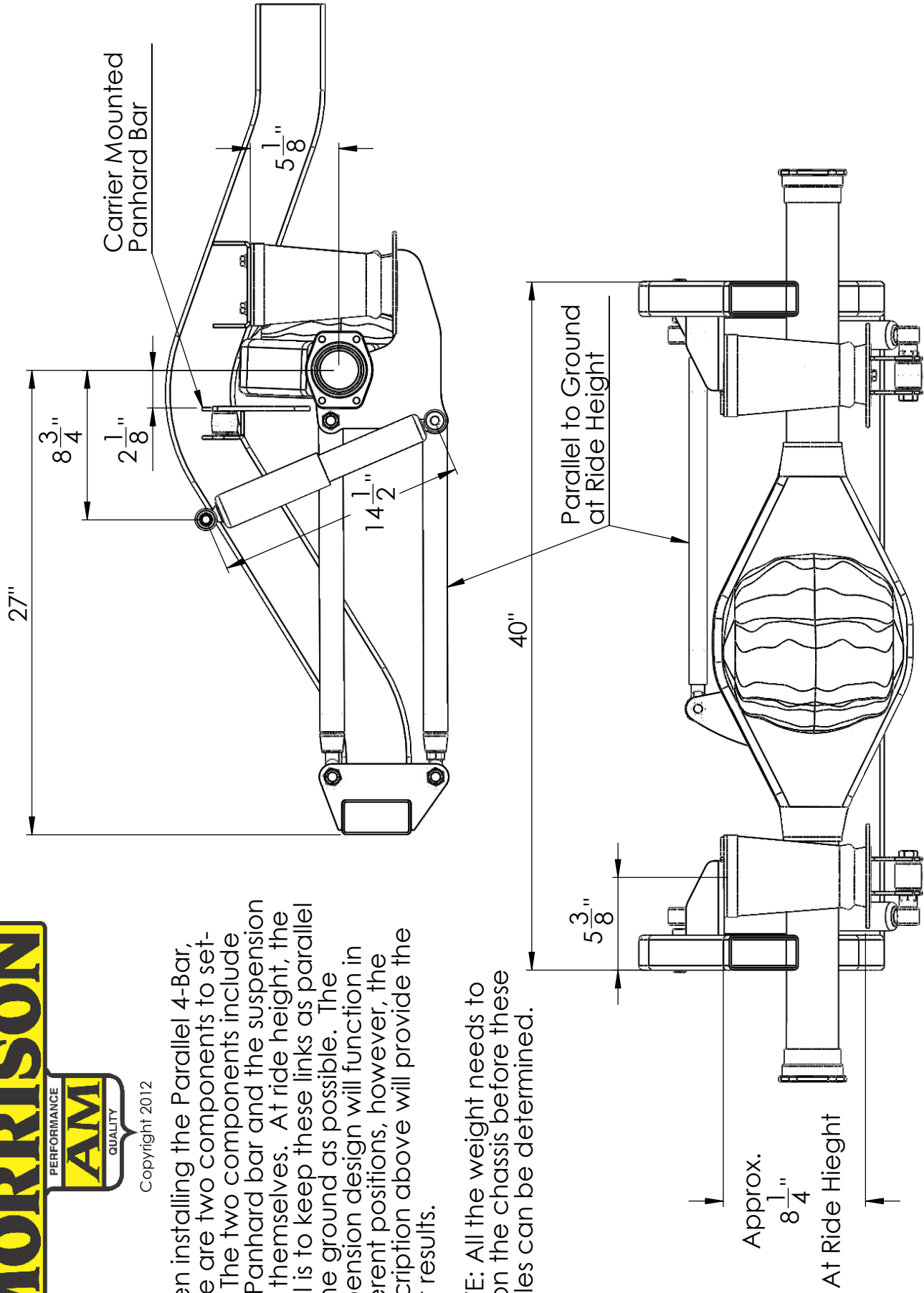


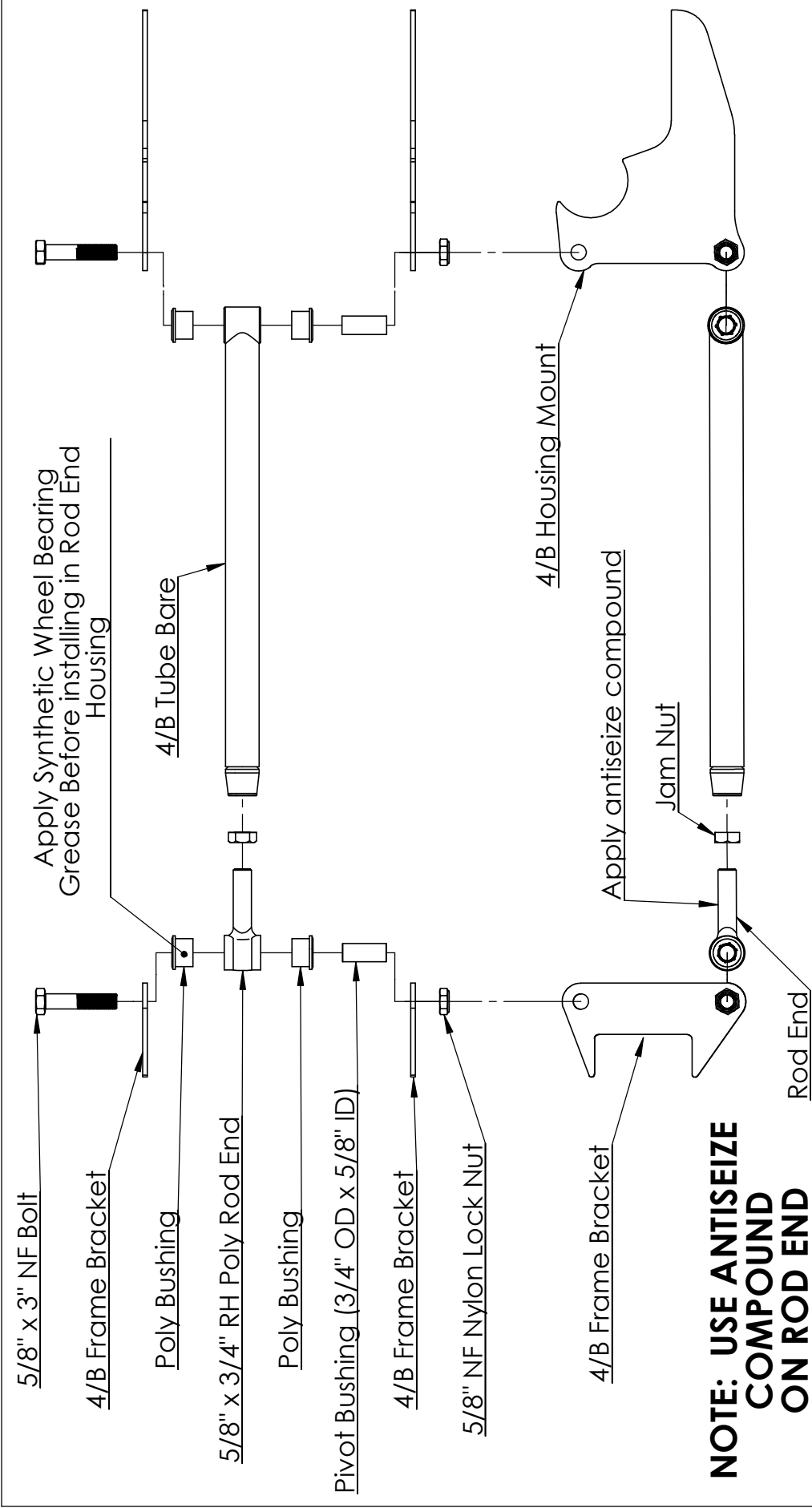


Copyright 2012

When installing the Parallel 4-Bar, there are two components to set-up. The two components include the Panhard bar and the suspension links themselves. At ride height, the goal is to keep these links as parallel to the ground as possible. The suspension design will function in different positions, however, the description above will provide the best results.

NOTE: All the weight needs to be on the chassis before these angles can be determined.

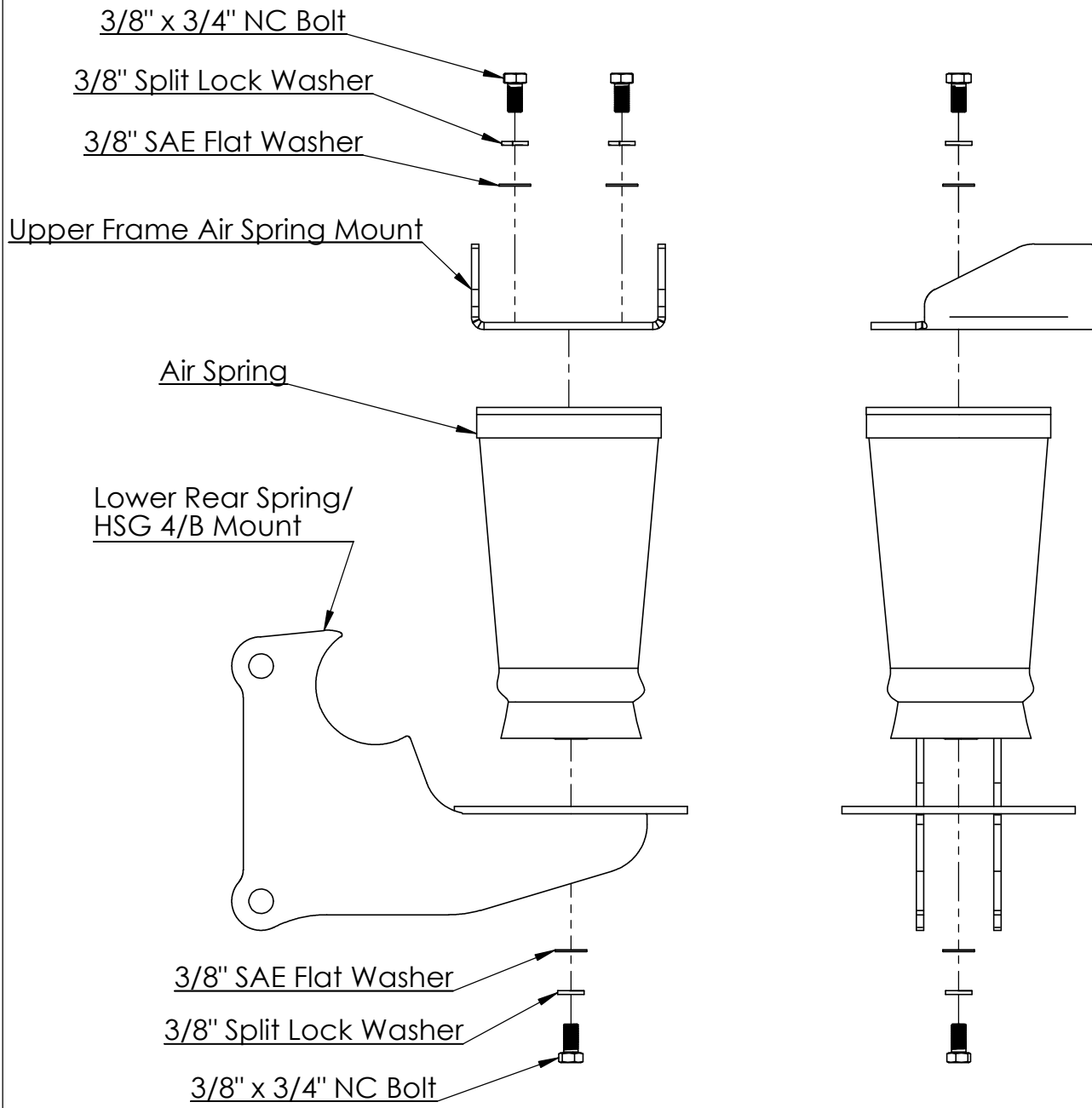




Kit Includes		
Part No.	Description	Qty
14155002	4/B Tube Bare w/Bushings	4
89890860	Poly Rod End 5/8" Bushing	8
89890870	Poly Pod End 5/8" Sleeve	4
89890800	5/8" x 3/4" RH Poly Rod End	4
14150110	4/B Frame Mount 1-7/16" Drop	4
70711250	5/8" x 3" NF GR5 Bolt	8
71711200	5/8" NF Nylon Lock Nut	8



Copyright 2012



Kit Includes:

Part No.	Description	Qty
AIR3110	AIR Lower Rear Spring/HSG 4/B BRKT	2
AIR3125	AIR Upper Rear Spring Frame Mount	2
W217609000	Firestone Rear Spring 1500#	2
70305255	3/8" x 3/4" GR5 NC Bolt	6
72410000	3/8" Split Lock Washer	6
72411000	3/8" Flat Washer	6



Ride Height



Copyright 2012

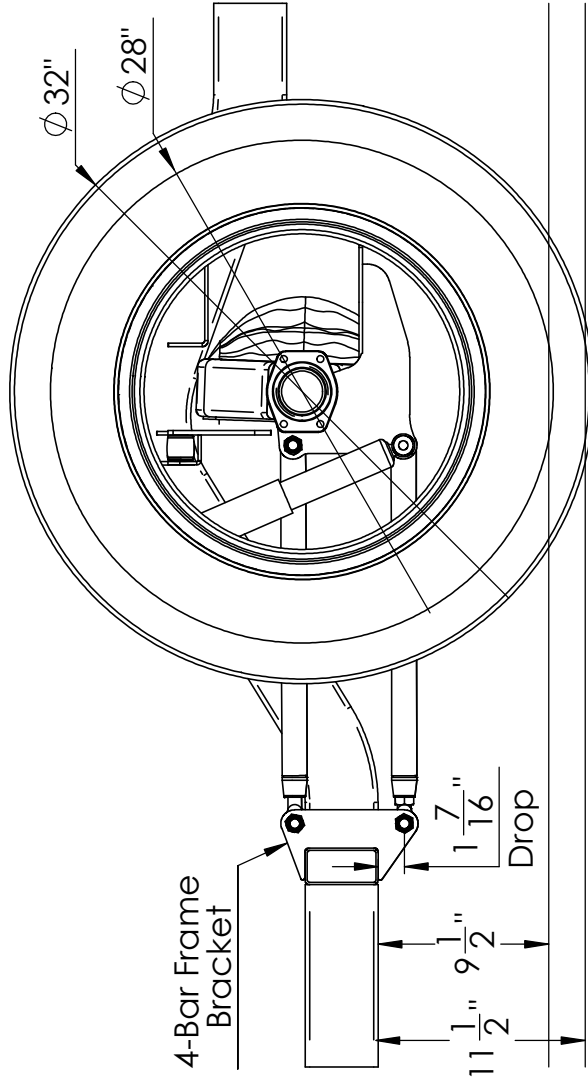


Figure 1

Spring Deflated

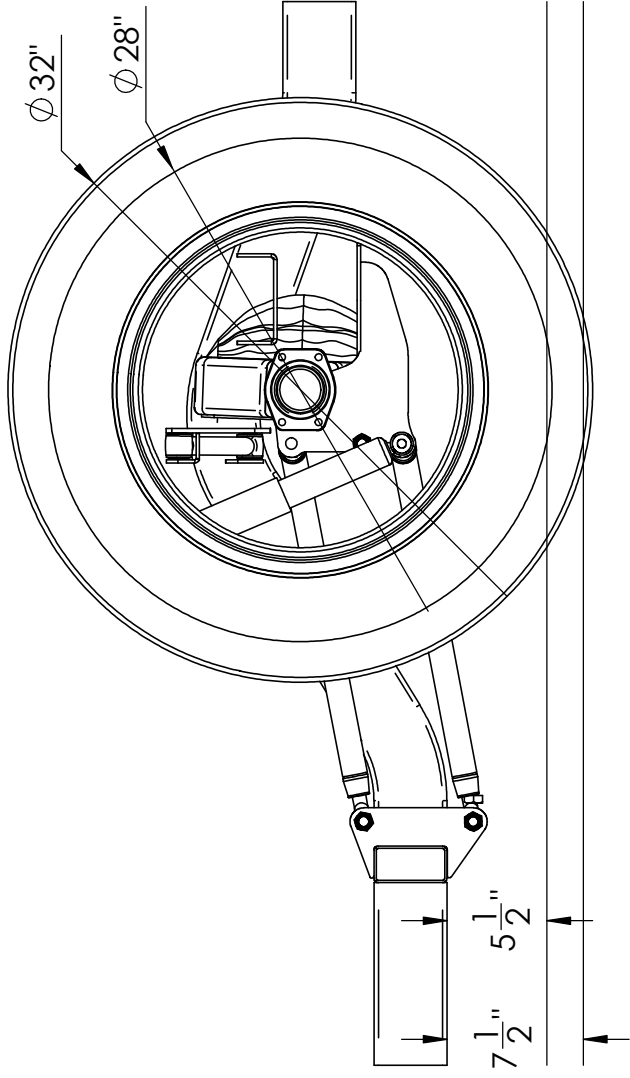


Figure 2

These figures give the representation of the air springs at ride height (Figure 1) as well as the air springs fully deflated. (Figure 2) There is 4" of vertical displacement in the air spring from the ride height position to completely deflated. Examples of ride heights are shown using 32" and 28" overall tire diameters.