



Carrier Installation Kit

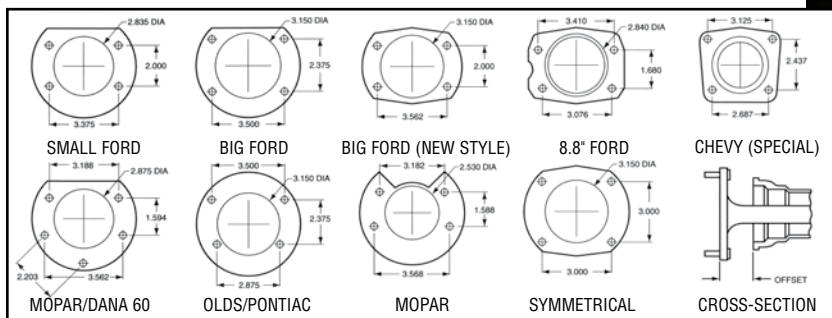
Here's just what the doctor ordered to do a first class job of installing a 9" carrier in the rear end housing. Included in the kit is a special high performance gasket, plus premium grade bolts, nuts and lock washers. Pesky leaks will be a thing of the past when you use this special kit.

40401015 Carrier Installation Kit\$50.00



Bearing Retainers

Engineered to both increase retention strength and facilitate easier installation or removal than OEM retainers, they're made from 3/16" steel and cad plated for extra durability. They are available for all popular applications. Please reference the chart below to identify the proper housing end, or call for details. **\$30.00** pair



Strange Engineering Axles

Strange Engineering Hi-Tuff forged steel axles and spools are the answer for reliability on the drag strip. They are available custom-made in any length, spline and bolt pattern, with a 2-year warranty on 33 or more splined axles. Companion spools available. For street applications, we also offer Strange's popular new "S/S" (31-spline) and "S/T" (35-spline) induction hardened axles.

Hi-Tuff Race Axles (to 35-spline)call for pricing
 S/S Street Axles (31-spline) Pair \$390.00
 S/T Street Axles (35-spline) Pair 390.00

NOTE: Strange 40-spline racing axles and spools are also available. Please call for pricing information.



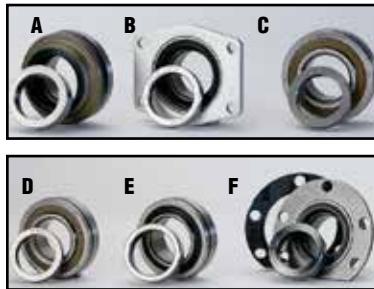
Strange Engineering Thirdmembers

Strange 9" S-Series Iron center section fully assembled with posi-unit, Daytona iron pinion support, 3.00-6.50

Strange standard gear set and S-Series steel (1350) yoke. Call for options & other 3rd member choices. From **\$1,485.00**

Pre-Lubed Heavy-Duty Axle Bearings

H-D ball-style axle bearings are pre-lubed & sealed for easy installation and long life. Mopar bearings fit 8-3/4" & Dana 60 applications and eliminate need for pre-load adjustment. **\$50.00** ea.



- (A) 46460125 Set 20, 1.562"\$50.00
- (B) 46460130 Small Ford Conv 55.00
- (C) 46460300 '57-'64 BOP 55.00
- (D) 46460120 1.562" Ball Bearing 55.00
- (E) 46460110 1.772" Ball Bearing 55.00
- (F) 46460000 Mopar w/Retainer 55.00

