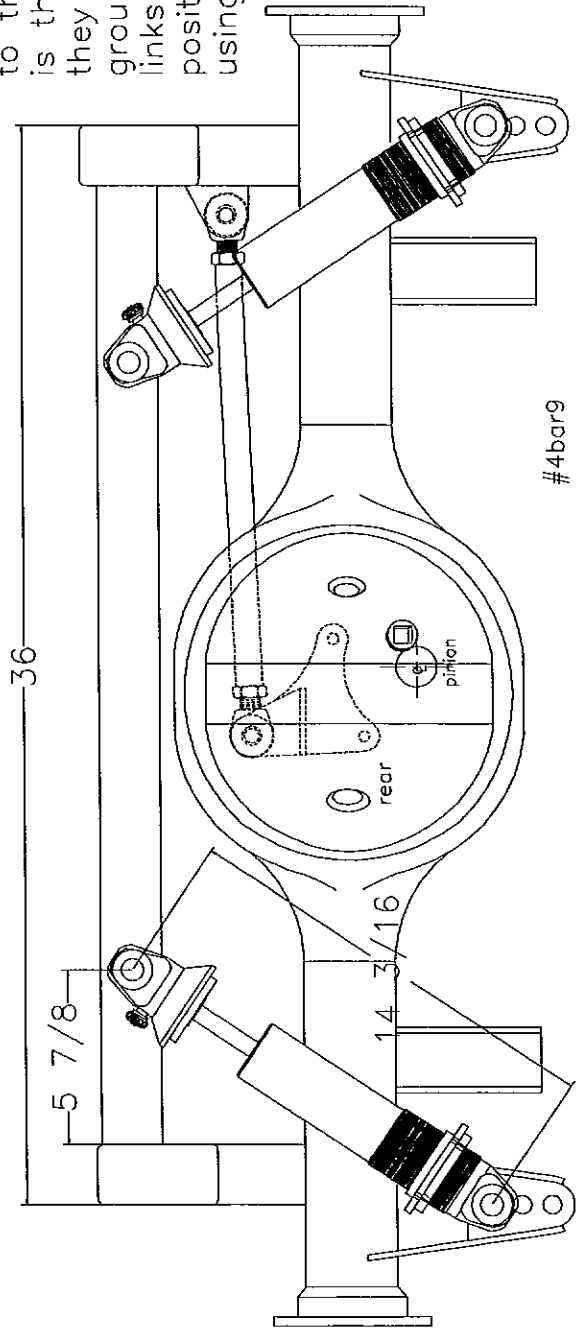
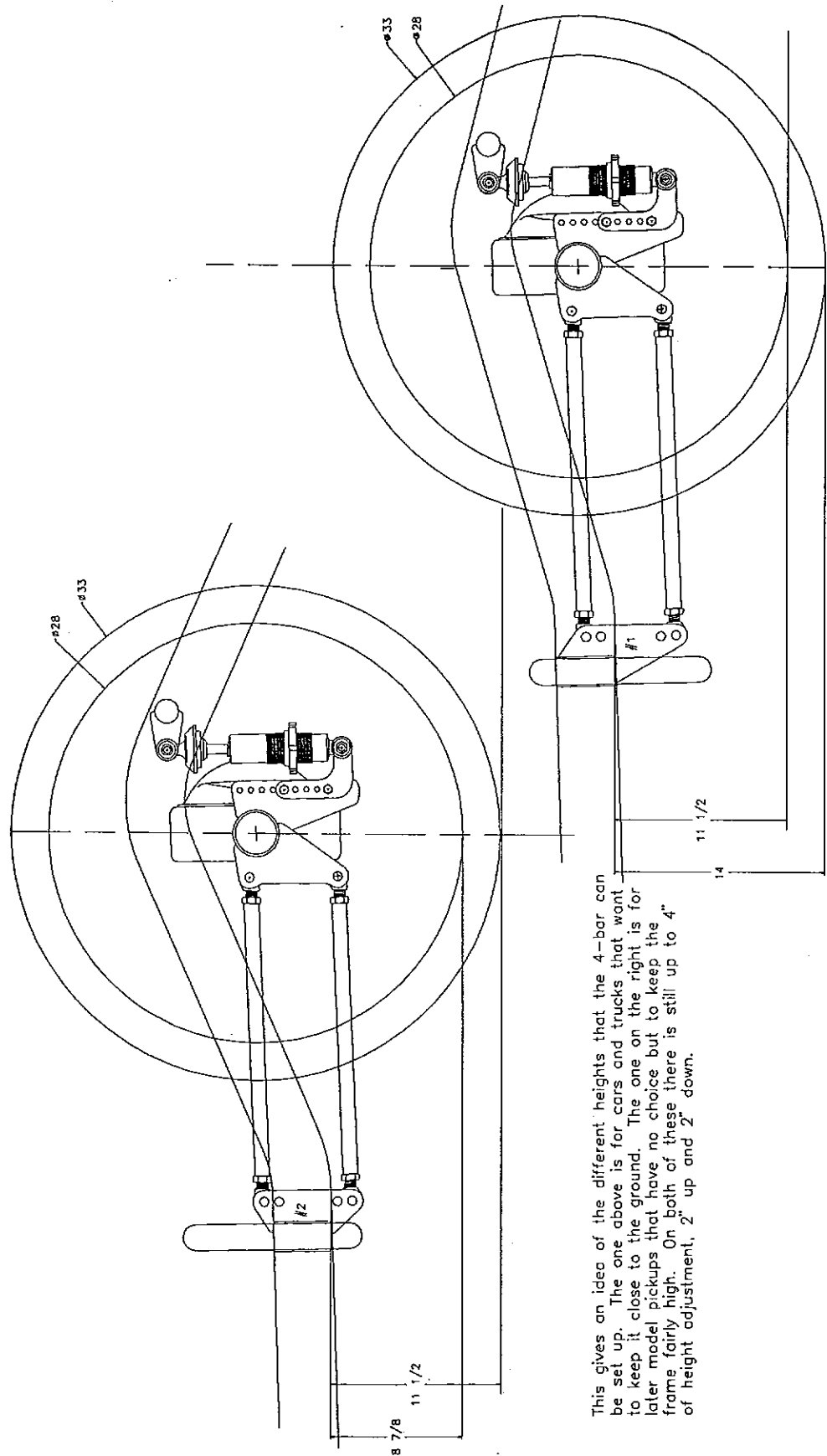


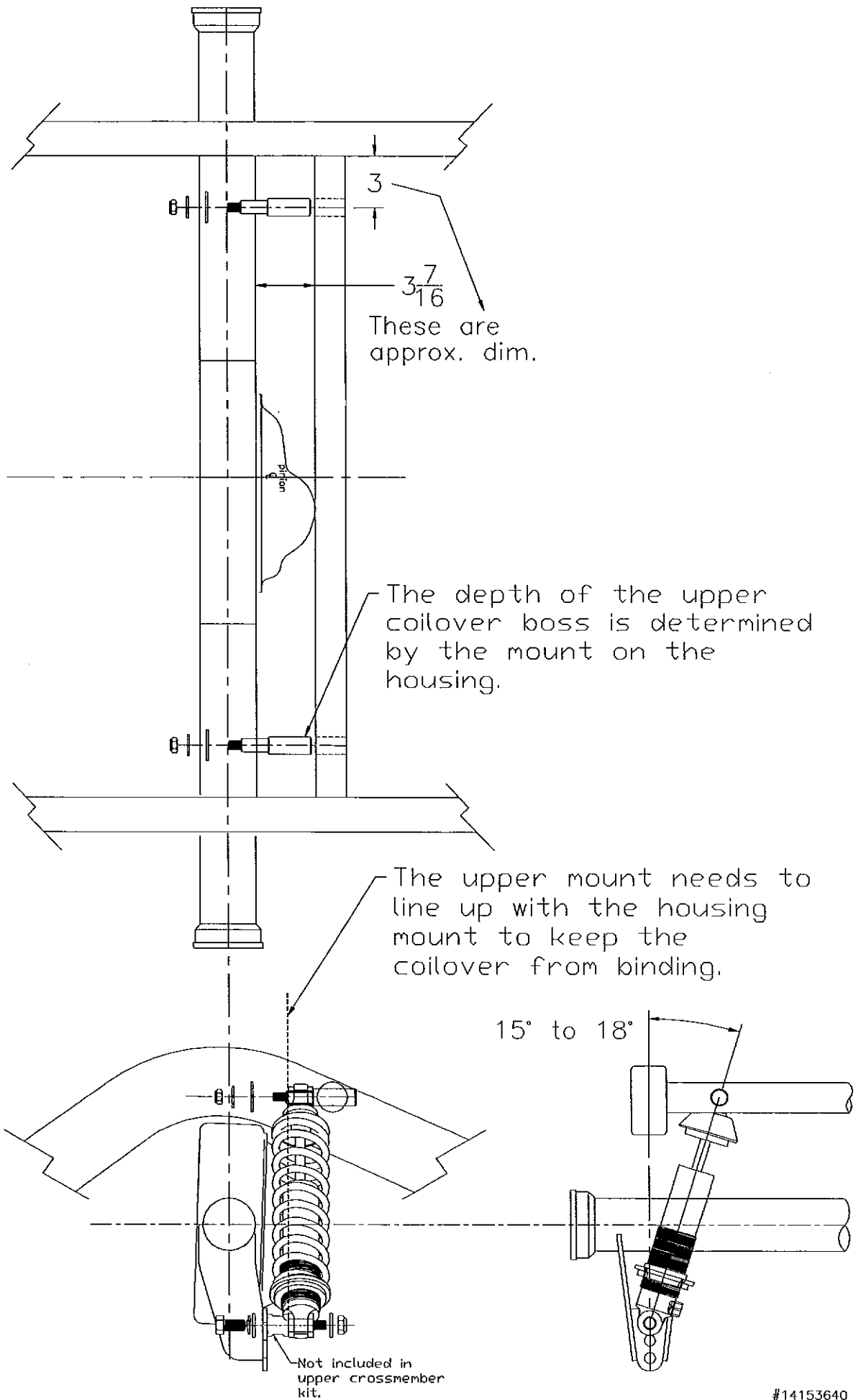
When the 4-bar is installed there are two things to watch for. One is the panhard bar, try to keep it as parallel to the ground as possible. The second is the links themselves, at ride height they also work best parallel to the ground. The 4-bar will work with the links and panhard bar in different positions but it will give it's best results using the description above.



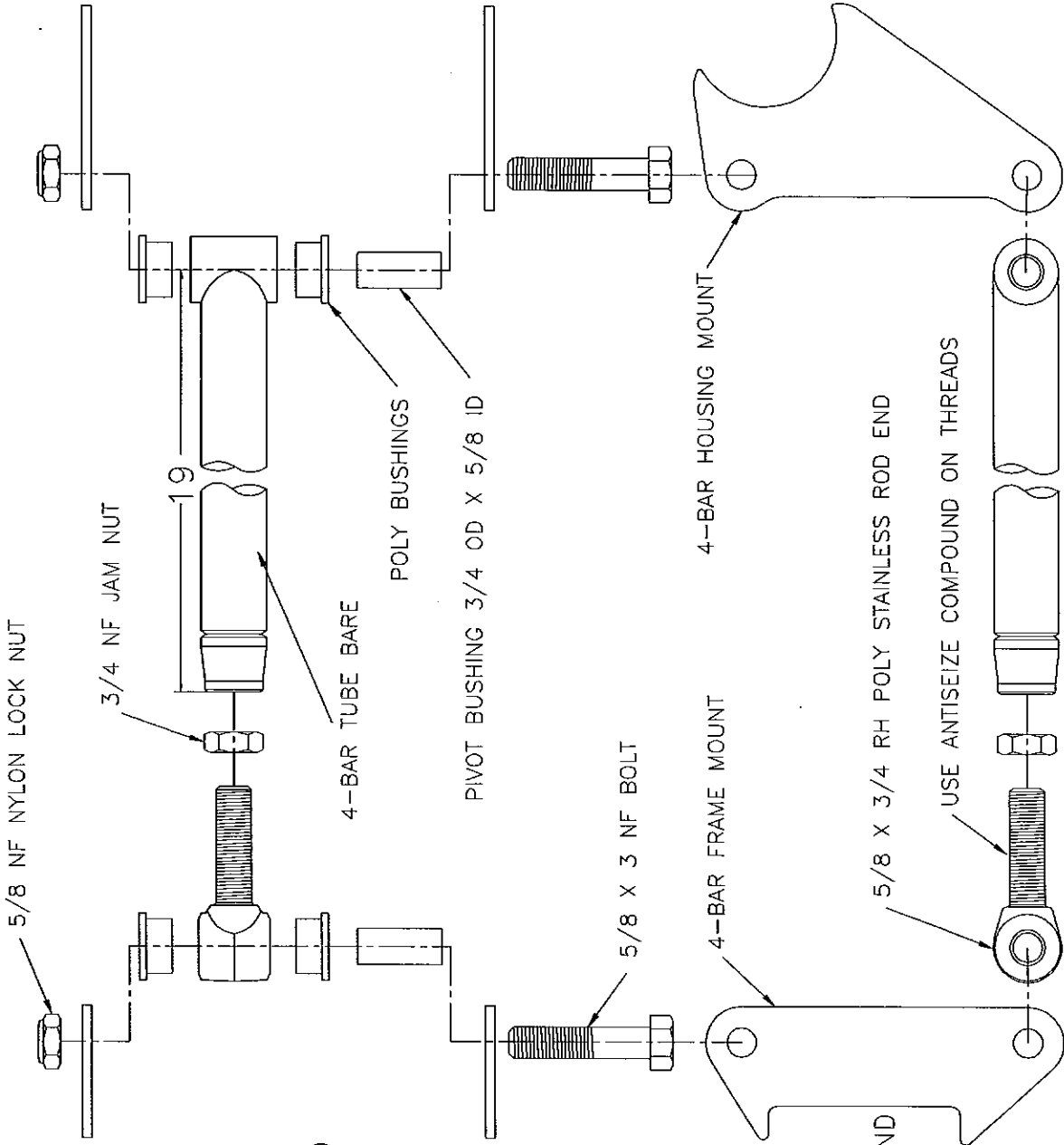
NOTE: All the weight needs to be on the chassis before the these angles can be determined. The finished height can be adjusted by spring weight or adjusting the shock mount on the rear end.



This gives an idea of the different heights that the 4-bar can be set up. The one above is for cars and trucks that want to keep it close to the ground. The one on the right is for later model pickups that have no choice but to keep the frame fairly high. On both of these there is still up to 4" of height adjustment, 2" up and 2" down.



4-BAR KIT WITH STANDARD FINISH
 PART #14152040

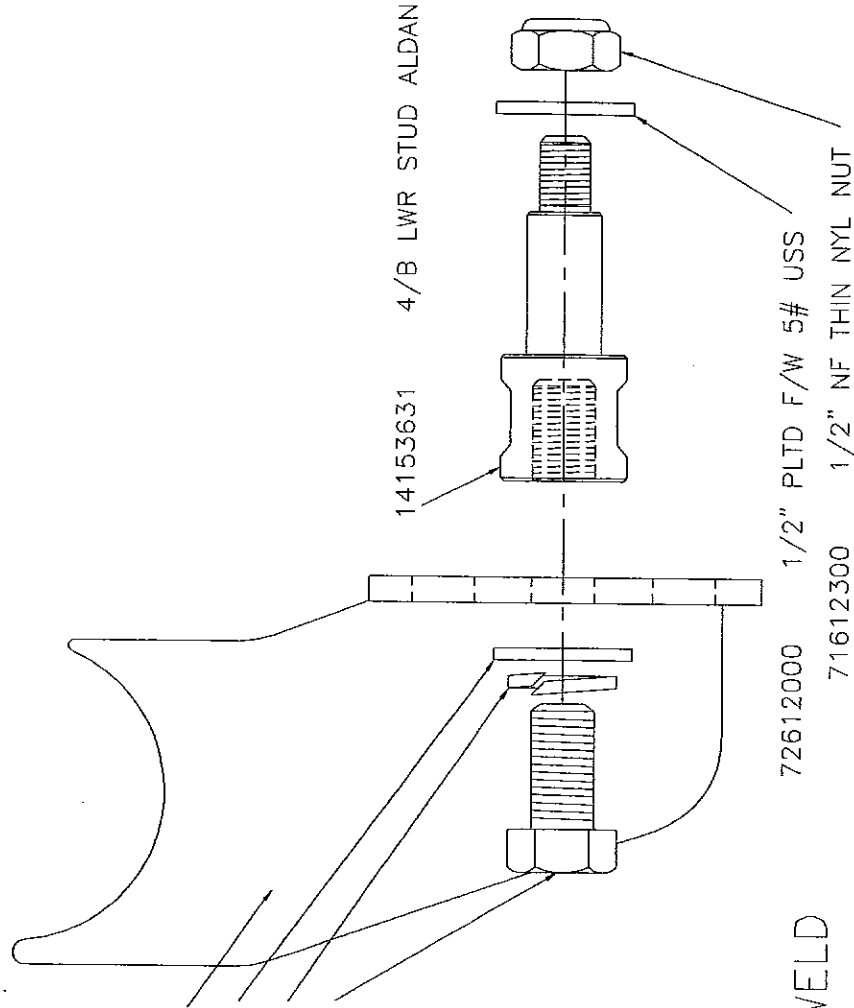


NOTE:
 USE ANTISEIZE COMPOUND
 ON THREADS

KIT INCLUDES:

- 4 4-BAR TUBES BARE
- 4 4-BAR FRAME MOUNT
- 4 4-BAR HOUSING MOUNT
- 4 5/8 X 3/4 RH POLY STAINLESS ROD END
- 8 5/8 X 3 NF BOLTS
- 8 5/8 NF NYLON LOCK NUTS
- 4 3/4 NF JAM NUTS
- 8 POLY BUSHINGS
- 4 PIVOT BUSHING 3/4 OD X 5/8 ID

4/B LWR SHK MNT ALDAN KIT
 PART #14153620



- 14153615 4/B LWR C/O MNT ASSY WELD
- 72713000 5/8" SAE F/W PLTD
- 72711000 5/8" SPLIT L/W PLTD
- 70710125 5/8" X 1-1/4" NF GR8 PLTD

KIT INCLUDES:

- 14153615 4/B LWR C/O MNT ASSY WELD
- 14153631 4/B LWR STUD ALDAN
- 72711000 5/8" SPLIT L/W PLTD
- 71612300 1/2" NF THIN NYL NUT
- 72713000 5/8" SAE F/W PLTD
- 72612000 1/2" PLTD F/W 5# USS
- 70710125 5/8" X 1-1/4" NF GR8 PLTD

- 72612000 1/2" PLTD F/W 5# USS
- 71612300 1/2" NF THIN NYL NUT

14153631 4/B LWR STUD ALDAN