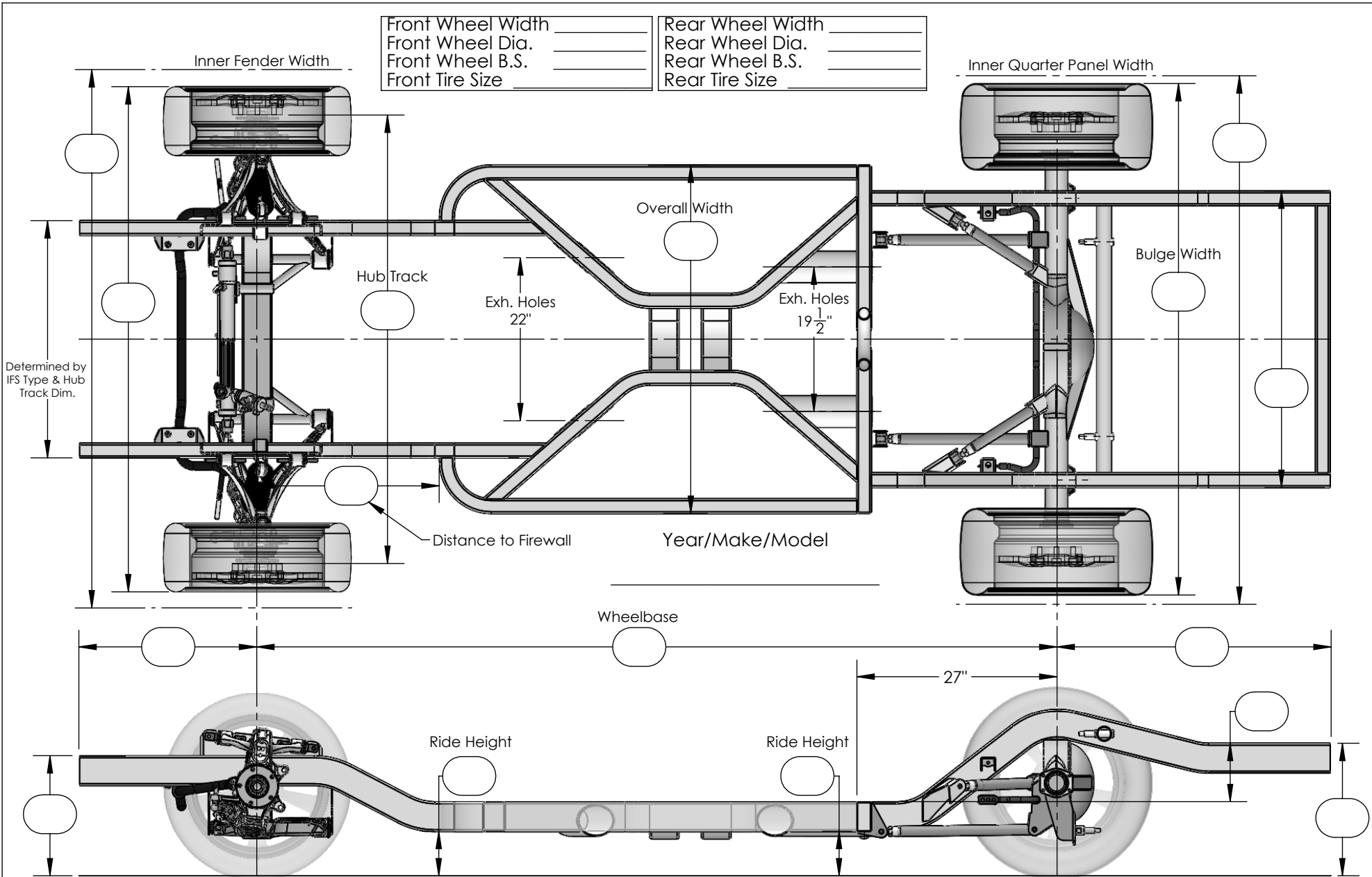


Front Wheel Width _____	Rear Wheel Width _____
Front Wheel Dia. _____	Rear Wheel Dia. _____
Front Wheel B.S. _____	Rear Wheel B.S. _____
Front Tire Size _____	Rear Tire Size _____



**PRODUCTION PURPOSES ONLY**

Front	Rear
Sway Bar <input type="checkbox"/> Std. Non-Adj <input type="checkbox"/> Adjustable  Front Brakes _____	Pinion Offset <input type="checkbox"/> Cen <input type="checkbox"/> Offset _____ Housing Ends <input type="checkbox"/> 3/8" Torino <input type="checkbox"/> 1/2" Big Ford <input type="checkbox"/> Small Ford  Hoop <input type="checkbox"/> STD. w/Exh. Holes <input type="checkbox"/> Wide Hoop <input type="checkbox"/> Housing Brace Rear Brakes _____

**MORRISON**  
 RESISTANCE  
 AM  
 Copyright 2012

**PROPRIETARY AND CONFIDENTIAL**  
 THE INFORMATION CONTAINED IN THIS DRAWING IS THE SOLE PROPERTY OF ART MORRISON ENTERPRISES. ANY REPRODUCTION IN PART OR AS A WHOLE WITHOUT THE WRITTEN PERMISSION OF ART MORRISON ENTERPRISES IS PROHIBITED.

**Art Morrison Ent.**  
**2x4 Musclecar Chassis**  
**C6 IFS/Tri 4-Bar Spec Sheet**  
 SCALE: 1:18 | SHEET 4 OF 4