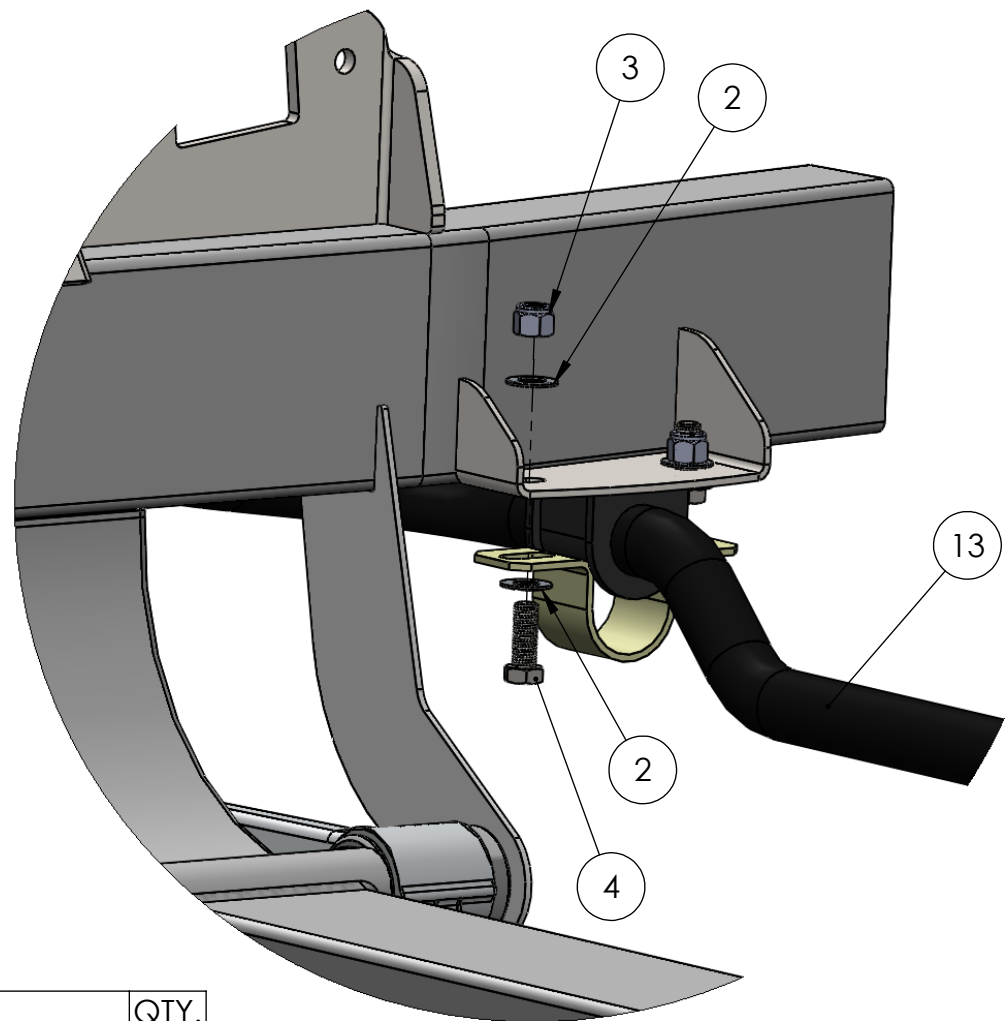



NAME	DATE	TITLE:	
DRAWN	MPJ	67-69 CAM 1-1/8" SWAY BAR KIT	
		SIZE	DWG. NO.
		A	67693025 VISUAL
		SCALE: 1:3	REV 0
			SHEET 1 OF 2

MORRISON
AM
 800-929-7188



ITEM NO.	PART NUMBER	DESCRIPTION	QTY.
1	67690145	67-69 CAM FRT SWAY BRKT LH	1
2	72411000	3/8" SAE F/W PLTD	12
3	71411300	3/8-NF Nyloc Nut	4
4	70305260	0.375 x 1 NF GR5	4
7	74842800	3/8" BORE 0.210" TALL	4
8	86803140	SWAY BAR 2" LINK HEIM SLEEVE	2
9	71413200	0.375 NF THIN NUT RH	2
10	71414200	0.375 NF THIN NUT LH	2
11	71411200	0.375 NF NYLOC THIN NUT	4
12	70406400	0.375 x 1.75 NF GR8	4
13	67693023	67-69 Camaro 1-1/8" Sway Bar	1
14	40432286	SWAY BAR VETC5 SLEEVE	2

	NAME	DATE	TITLE:		
DRAWN	MPJ	12/13/2011			
			SIZE	DWG. NO.	REV
			A	67693025 VISUAL	0
SCALE: 1:3			SHEET 2 OF 2		