

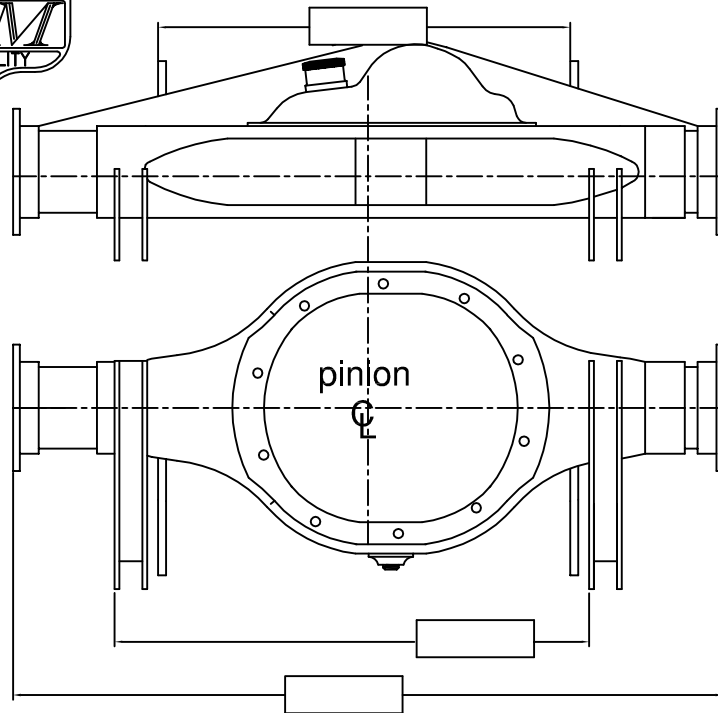
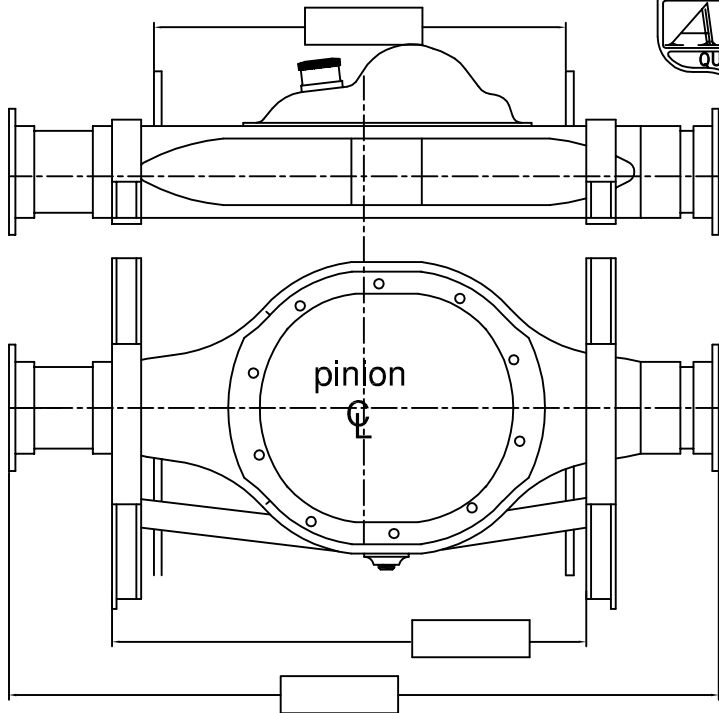
Race/Pro Street

MORRISON



4-Link

Ladder Bar



The following information is required on these types of housings.

- (A) Coil over mount width _____
- (B) 4-Link, ladder bar, or 4-bar width _____
- (C) Center to center on leaf spring mounts _____
- (D) Type of rod ends in 4-link or ladder bar _____

A, B, and C are centerline dimensions

Make of center section _____

Housing Width

(end to end) _____

(wheel to wheel) _____

W/brakes

W/out brakes

Fill

Drain

Vent

Special instructions _____

Brake type

Wilwood

SVO

Drum

Other

Hat thickness _____

Type of housing end

Torino

Big Ford

Type of housing & support

Big web

Small web

Backbrace

Track locator

Diagonal link

Panhard bar

Watts linkage

Pinion offset _____

Ladder bar _____

4-Link _____