

MORRISON



Drawing # 3998
Suspension ladder bar
Type of frame Mandrel bent 2X3 or 2X4
 FAX #253 922 8847
 Phone #253 922 7188

Rim width _____
 Back space _____
 Tire size _____

COMPONENT CHOICES

FRAME MATERIAL

- 2X3
- 2X4X0.120
- 2X4X0.180
- With hoop

LADDER BAR LENGTH

- 30"
- 32"

HOUSING

- Small Ford
- Big Ford
- F-9

HOUSING ENDS

- Big Ford 1/2"
- Big Ford Torino 3/8"
- Olds/Pontiac

BACK BRACE

- Yes
- No

COILOVERS

- AM/Pro
- Morrison Spring Kit
- Other

TRACK LOCATOR

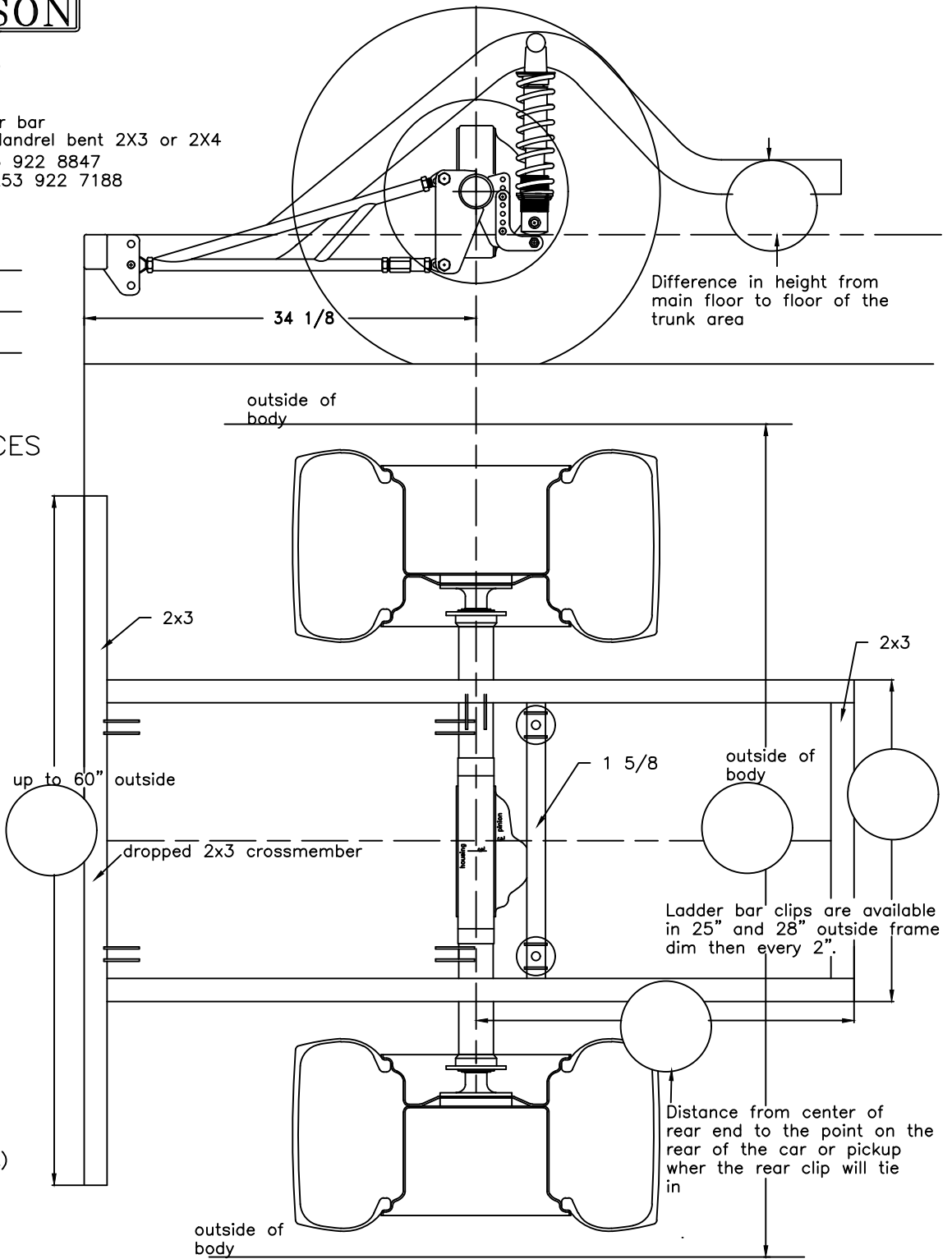
- Diagonal Link (Race)
- Panhard Bar (Street)

ROD ENDS

- Stainless/Poly Bushed
- Spherical
- Solid rod ends

PINION LOCATION

- Centered Pinion
- Centered Housing



YEAR, MAKE AND MODEL : _____

PRINT NAME: _____

SIGNATURE: _____

DAY TIME PHONE #: () _____

Revised 5/25/2016