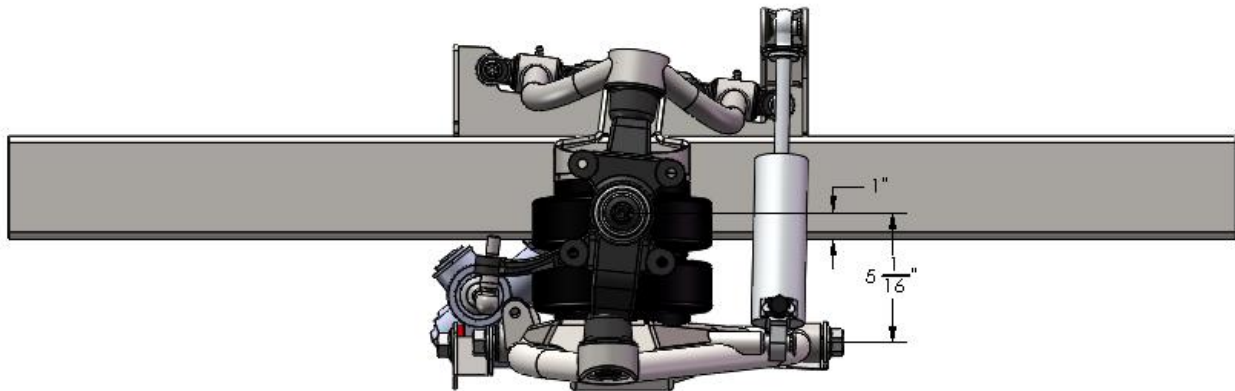




Alignment Guide			
Suspension Type	Toe (Inches)	Camber (Deg.)	Caster (Deg.)
Air Sport IFS (Street)	1/32 to 1/16 (In)	-0.5 to -1.0	+5.5 to +6.6

Note: The Air Sport IFS Alignment Guide is based on Sport IFS (Street) specifications. The alignment should always be done when the suspension is at ride height.



Note: The ride height is based on the distance between the bottom of the frame rail and the spindle height. The scenario shown is using a drop spindle. If equipped with a standard height spindle, the ride height dimension is 1" below the frame rail. The measurement from the lower control arm boss centerline to the spindle height, (5-1/16") is included to provide an easier measuring point if necessary.