

# AXLE ORDER FORM

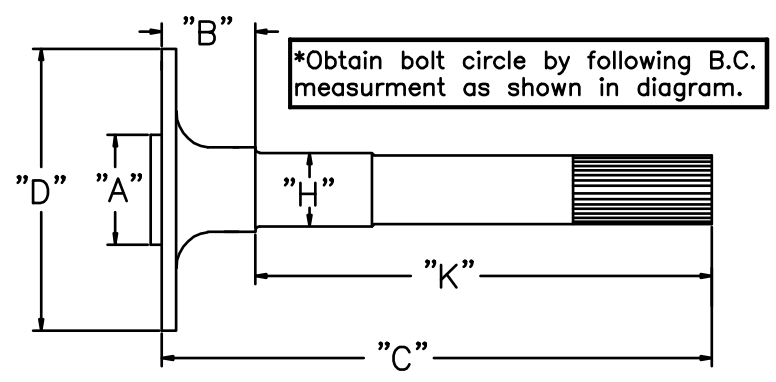
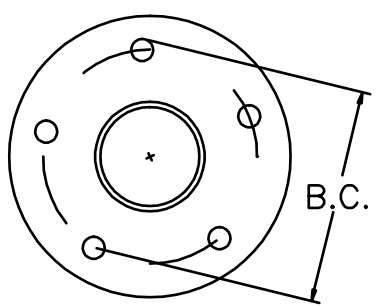


Art Morrison Enterprises  
 5301 8th St E  
 Fife, WA 98424  
 (253) 922-7188  
 FAX (253) 922-8847  
 Toll Free 1-800-929-7188

Vendor: \_\_\_\_\_  
 P.O.# \_\_\_\_\_ Date: \_\_\_\_\_  
 Ship By \_\_\_\_\_ Order Confirmed \_\_\_\_\_

Name \_\_\_\_\_ Order # \_\_\_\_\_  
 AME C/O \_\_\_\_\_ Sales I.D. \_\_\_\_\_  
 Address \_\_\_\_\_  
 Drop Ship City \_\_\_\_\_ State \_\_\_\_\_ Zip \_\_\_\_\_

Race   
 Street



HOUSING TYPE: \_\_\_\_\_ CENTER SECTION \_\_\_\_\_  
 HOUSING END TYPE: \_\_\_\_\_ NUMBER of SPLINES \_\_\_\_\_  
 PINION-CENTERED or OFFSET W/DIMENSION: \_\_\_\_\_  
 BARE HOUSING END to END WIDTH: \_\_\_\_\_ AXLE BOLT CIRCLE (B.C.) \_\_\_\_\_  
 STUD SIZE, 1/2-20 STD: \_\_\_\_\_ SEND KIT? YES \_\_\_\_\_ NO \_\_\_\_\_  
 TYPE of BRAKES: DISC \_\_\_\_\_ DRUM \_\_\_\_\_ VENDOR: \_\_\_\_\_  
 "H" DIMENSION, BEARING SIZE AND TYPE \_\_\_\_\_ SEND W/ORDER? \_\_\_\_\_  
 W/1" ACCESS HOLE \_\_\_\_\_

**IF USING DRUM OF FACTORY DISC BRAKES:**

"A" DIMEN: \_\_\_\_\_ "D" DIMEN: \_\_\_\_\_ "B" DIMEN: \_\_\_\_\_

**IF REPLACING EXISTING AXLES:**

LEFT (DRIVER) AXLE "C" \_\_\_\_\_ RIGHT (PASS) AXLE "C" \_\_\_\_\_  
 LEFT (DRIVER) AXLE "K" \_\_\_\_\_ RIGHT (PASS) AXLE "K" \_\_\_\_\_