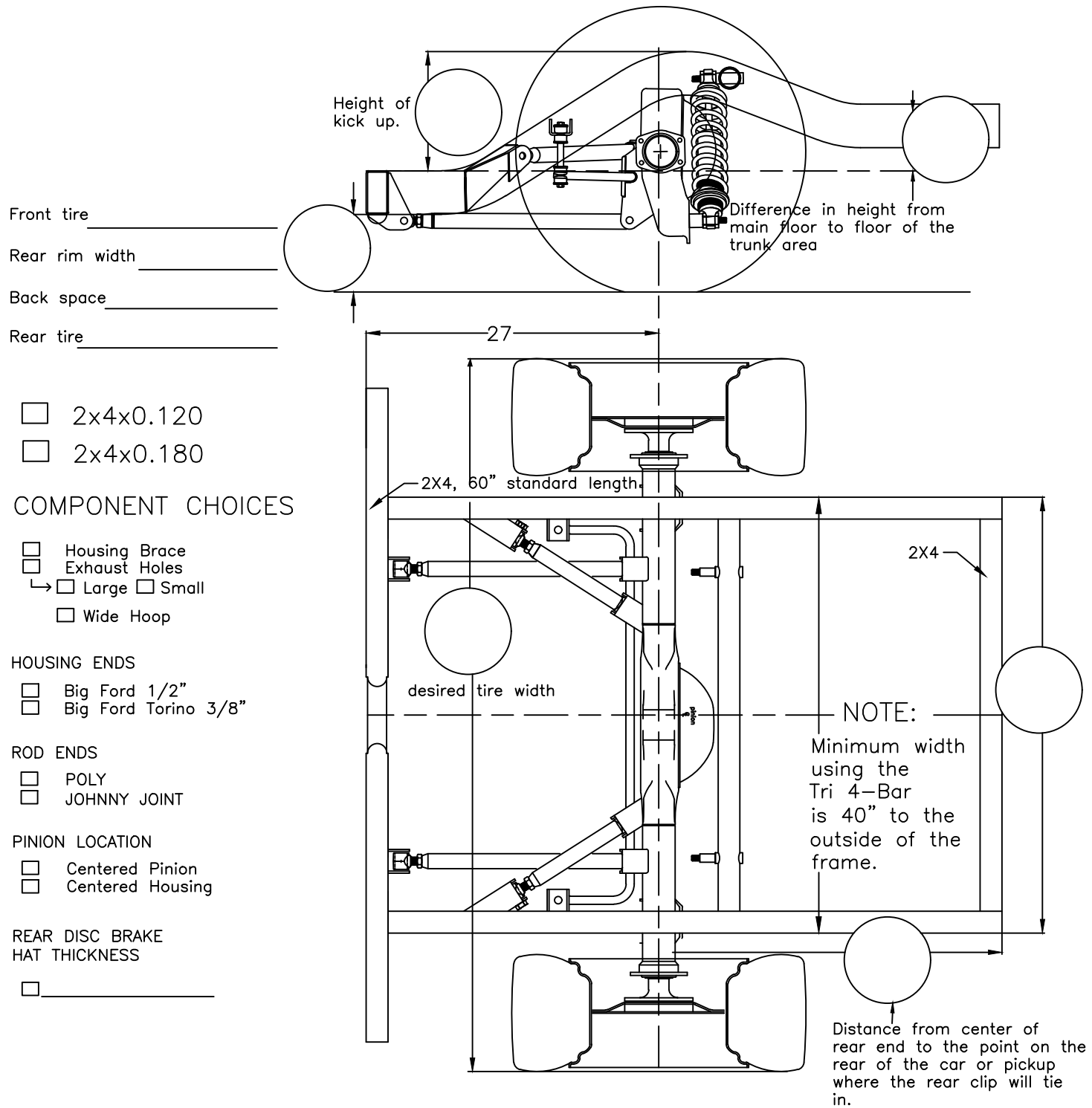




**Drawing # 3993**  
**Suspension Tri 4-Bar**  
**Type of frame Mandrel bent 2X4**  
 FAX #253 922 8847  
 Phone #253 922 7188



- 2x4x0.120
- 2x4x0.180

**COMPONENT CHOICES**

- Housing Brace
- Exhaust Holes
- ↳  Large  Small
- Wide Hoop

**HOUSING ENDS**

- Big Ford 1/2"
- Big Ford Torino 3/8"

**ROD ENDS**

- POLY
- JOHNNY JOINT

**PINION LOCATION**

- Centered Pinion
- Centered Housing

**REAR DISC BRAKE HAT THICKNESS**

- \_\_\_\_\_

YEAR, MAKE AND MODEL : \_\_\_\_\_

PRINT NAME: \_\_\_\_\_

SIGNATURE: \_\_\_\_\_

DAY TIME PHONE #: ( ) \_\_\_\_\_