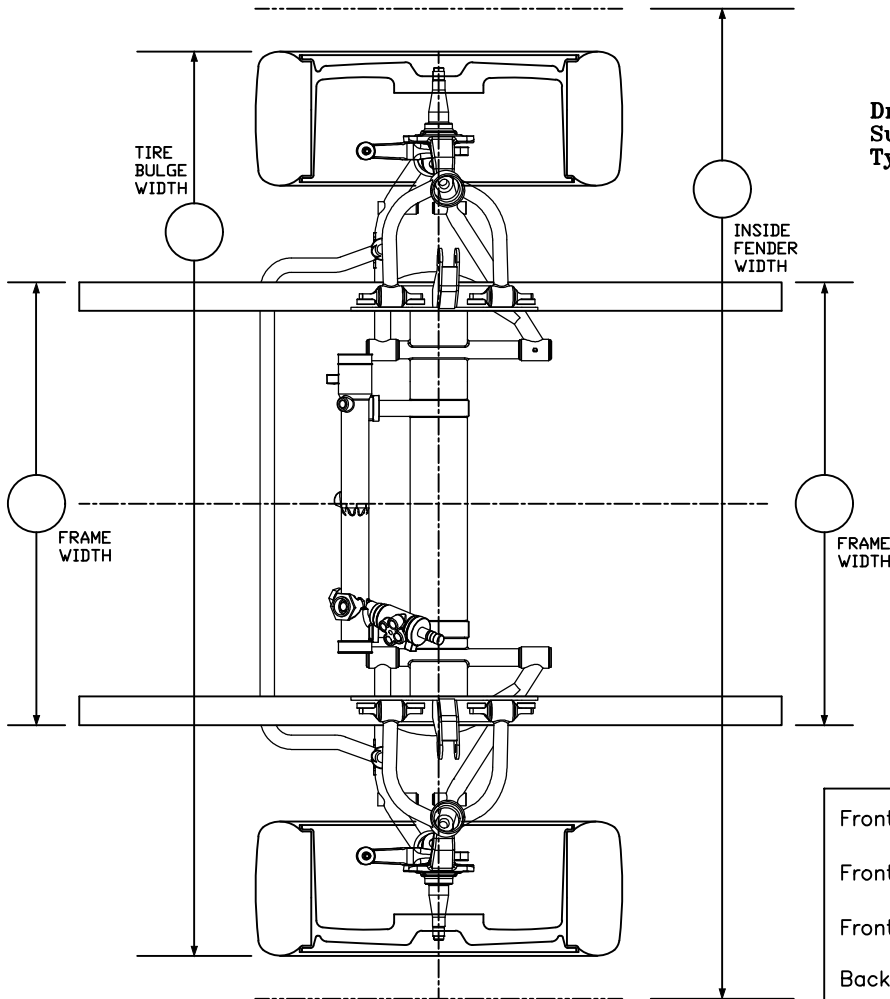


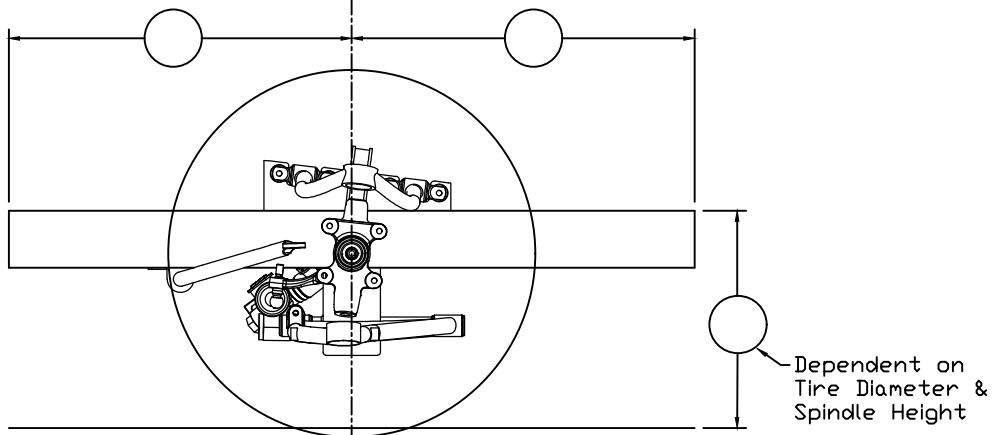
**MORRISON**



**Drawing # 3997**  
**Suspension Sport IFS (shown)**  
**Type of frame 2x4 Rectangular Tubing**  
 FAX #253 922 8847  
 Phone #253 922 7188



Front tire	_____
Front Wheel Dia.	_____
Front Wheel Width	_____
Backspace	_____



- |                          |               |
|--------------------------|---------------|
| <input type="checkbox"/> | Sport IFS     |
| <input type="checkbox"/> | Deluxe IFS    |
| <input type="checkbox"/> | C6 IFS        |
| <input type="checkbox"/> | Sport C6 IFS  |
| <input type="checkbox"/> | Sport Air IFS |

**COMPONENT CHOICES**

**Brakes**

- \_\_\_" Wilwood Brakes

**Spindle (All except C6)**

- Standard Height Wilwood Spindle  
 2" Drop Wilwood Spindle

**Frame Material**

- 2x4x0.120  
 2x4x0.180