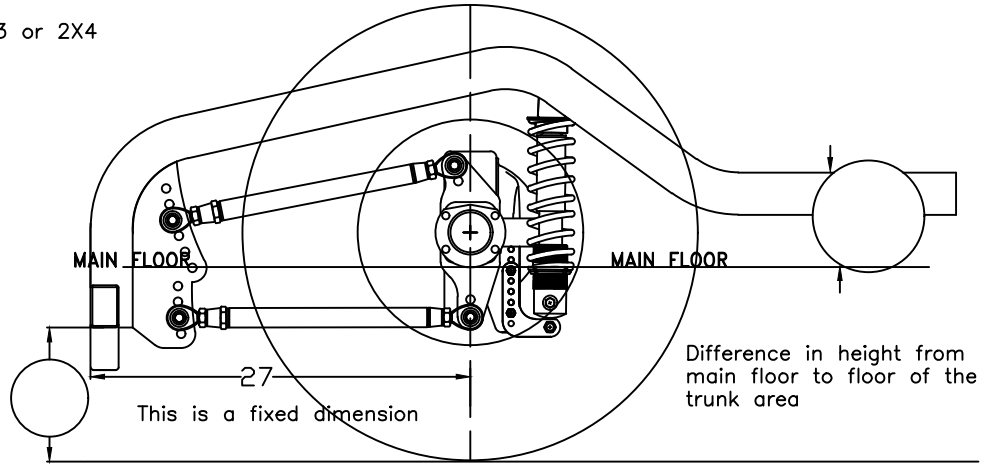




**Drawing #** 3999  
**Suspension** 4-link, coil over  
**Type of frame** Mandrel bent 2X3 or 2X4  
 FAX #253 922 8847  
 Phone #253 922 7188

Rim width \_\_\_\_\_  
 Back space \_\_\_\_\_  
 Tire size \_\_\_\_\_



**COMPONENT CHOICES**

**FRAME MATERIAL**

- 2X3
- 2X4X0.120
- 2X4X0.180
- With hoop

**BRAKE CHOICE**

\_\_\_\_\_

**DISC BRAKE HAT THICKNESS**

\_\_\_\_\_

**HOUSING ENDS**

- Small Ford
- Big Ford 1/2"
- Big Ford Torino 3/8"
- Olds/Pontiac
- 8 3/4 /Dana

**BACK BRACE**

- Yes
- No

**COILOVERS**

- AM/Pro
- Morrison Spring Kit
- Strange
- ↳  Poly  Bearing

**TRACK LOCATOR**

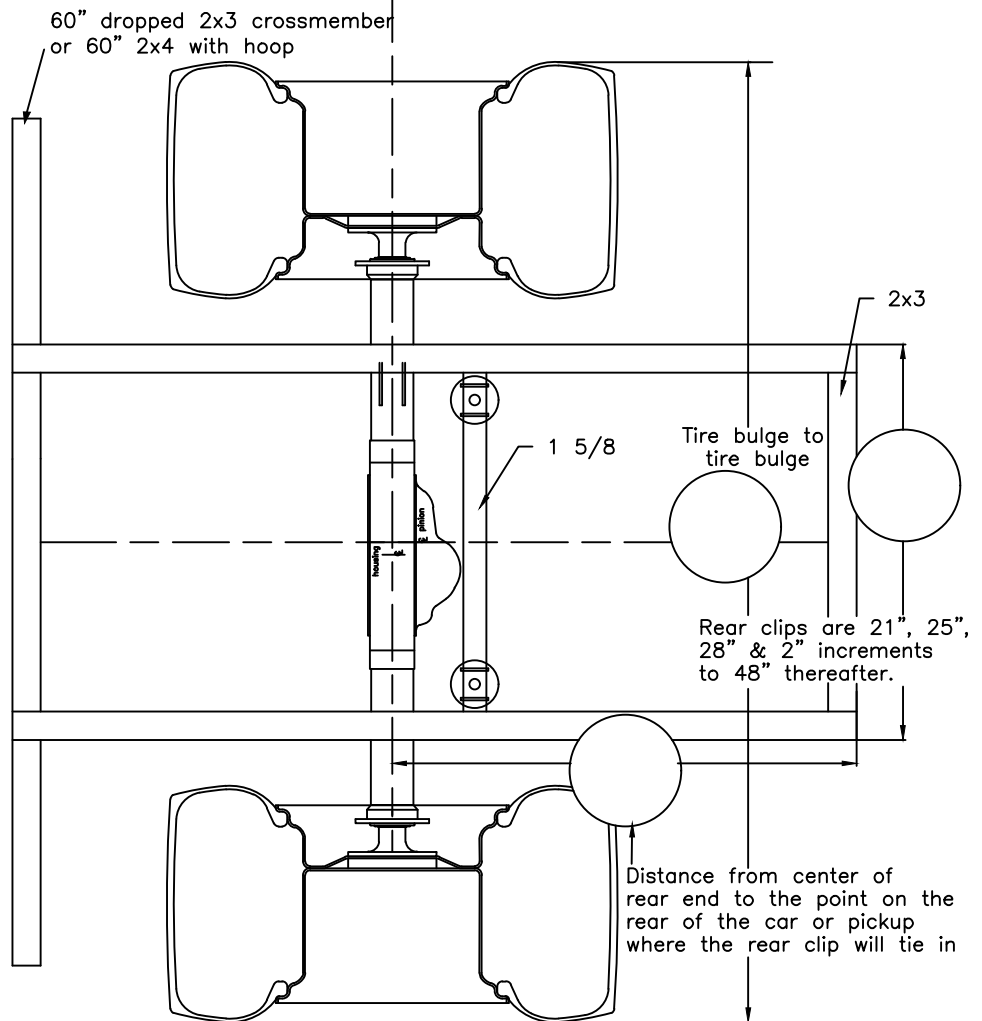
- Diagonal Link (Race)
- Panhard Bar (Street)

**ROD ENDS**

- Stainless/Poly Bushed
- Spherical
- Spherical w/ Poly Spacing

**PINION LOCATION**

- Centered Pinion
- Centered Housing



YEAR, MAKE AND MODEL : \_\_\_\_\_

PRINT NAME: \_\_\_\_\_

SIGNATURE: \_\_\_\_\_

DAY TIME PHONE #: ( ) \_\_\_\_\_