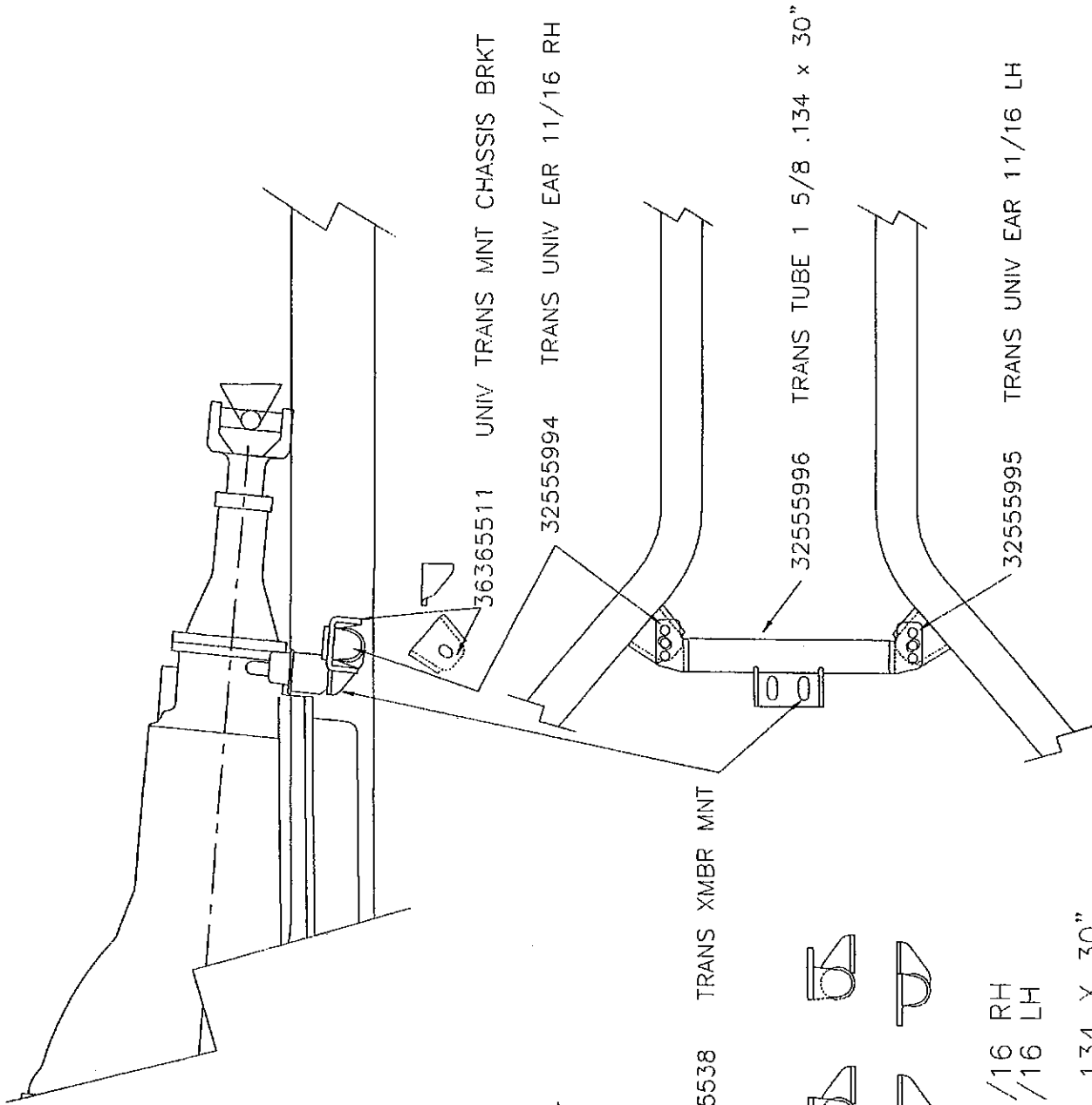
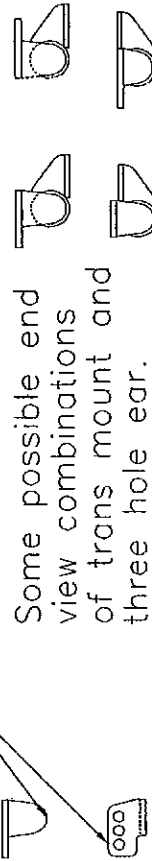


PART #32555660  
 TRANS XMBR MNT UNIV KIT

If the engine is already mounted bolt the trans xmbR to the rubber mount on the transmission. Make sure the transmission is raised as high as possible in the tunnel then check the clearance at the front of the engine around the balancer and pan. The 1 5/8 tube will need to be trimmed to length depending on where the mount ends up. Cutting it twice will insure it will not come up short. The universal ear mounts may need trimming along with the trans mount chassis bracket. Follow the diagram and fit the crossmember to the frame. With everything set in place tack weld, check the fit and finish welding.



May need trimming



Some possible end view combinations of trans mount and three hole ear.

- 1 32555994 TRANS UNIV EAR 11/16 RH
- 1 32555995 TRANS UNIV EAR 11/16 LH
- 1 32555538 TRANS XMBR MNT
- 1 32555996 TRANS TUBE 1 5/8 .134 X 30"
- 2 36365511 UNIV TRANS MNT CHASSIS BRKT